

## READ ME !

Thank you for purchasing a Front Runner Tent Mount Kit 2 Piece.

Before you start, take a moment to familiarize yourself with the Fitting Instructions and the included components.

Refer to Page 2 for a list of all the components, quantities and tools required.

## IMPORTANT WARNING!

IT IS CRITICAL THAT ALL FRONT RUNNER PRODUCTS BE PROPERLY AND SECURELY ASSEMBLED AND ATTACHED TO YOUR VEHICLE. IMPROPER ATTACHMENT COULD RESULT IN AN AUTOMOBILE ACCIDENT, AND COULD CAUSE SERIOUS BODILY INJURY OR DEATH. YOU ARE RESPONSIBLE FOR ASSEMBLING AND SECURING ALL FRONT RUNNER PRODUCTS TO YOUR VEHICLE, CHECKING THE ATTACHMENTS PRIOR TO USE, AND PERIODICALLY INSPECTING THE PRODUCTS FOR ADJUSTMENT, WEAR AND DAMAGE. THEREFORE, YOU MUST READ AND UNDERSTAND ALL OF THE INSTRUCTIONS AND PRECAUTIONS SUPPLIED WITH YOUR FRONT RUNNER PRODUCT PRIOR TO INSTALLATION OR USE. IF YOU DO NOT UNDERSTAND ALL OF THE INSTRUCTIONS AND CAUTIONS, OR IF YOU HAVE NO MECHANICAL EXPERIENCE AND ARE NOT THOROUGHLY FAMILIAR WITH THE INSTALLATION PROCEDURES, YOU SHOULD HAVE THE PRODUCT INSTALLED BY A PROFESSIONAL INSTALLER OR OTHER QUALIFIED PERSONNEL.

**NOTE:** Front Runner will not be responsible for any damage caused by the failure to install the product according to these instructions.

Please call us if you have any questions about the installation of this product.



# 1 GET ORGANIZED

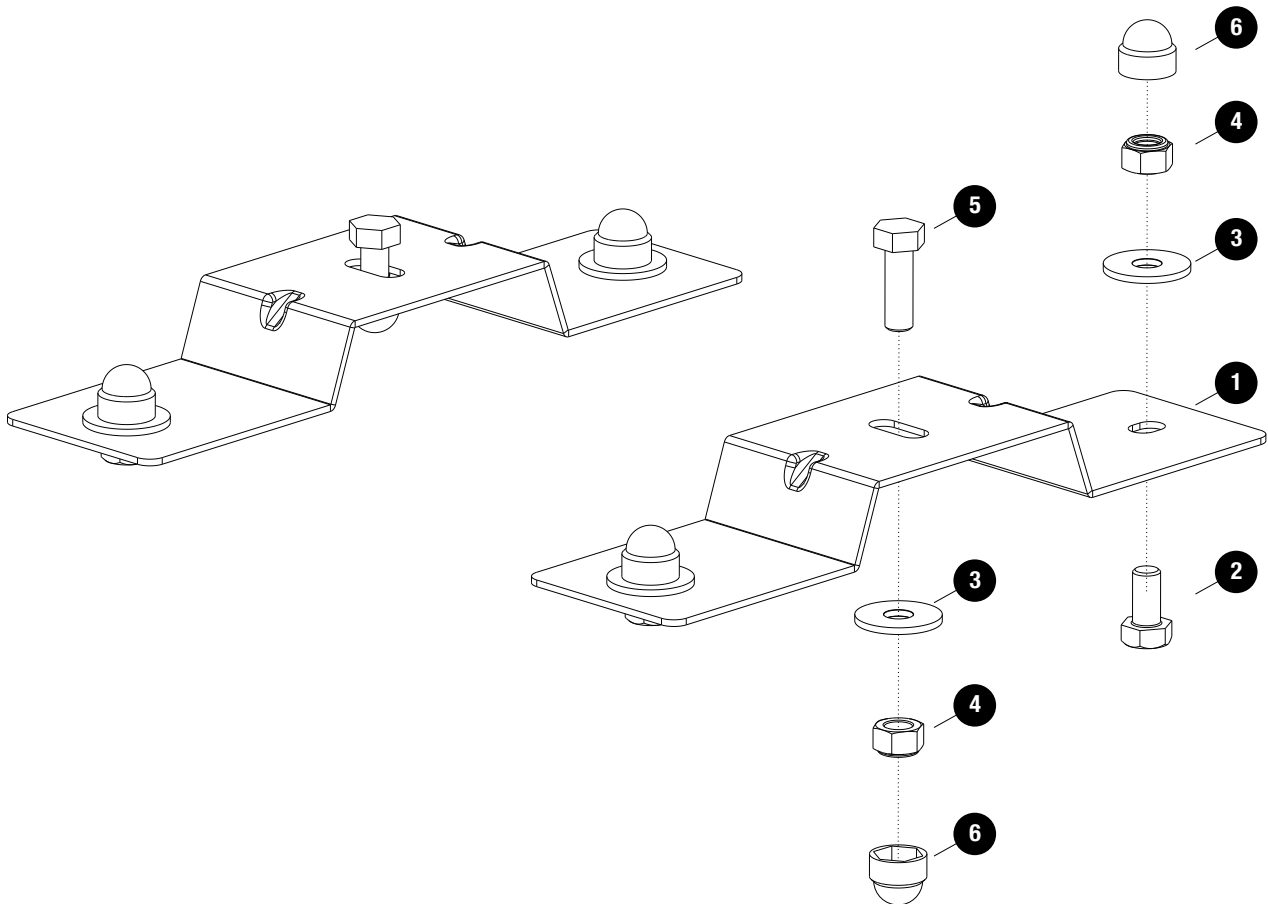
## IN THE BOX

1	2 X	Tent Mount Bracket
2	4 X	M8 x 16 Hex Head Bolt
3	6 X	M8 x 25 x 2 Flat Washer
4	6 X	M8 Nyloc Nut
5	2 X	M8 x 25 Hex head Bolt
6	6 X	M8 Nut Cap

## TOOLS NEEDED



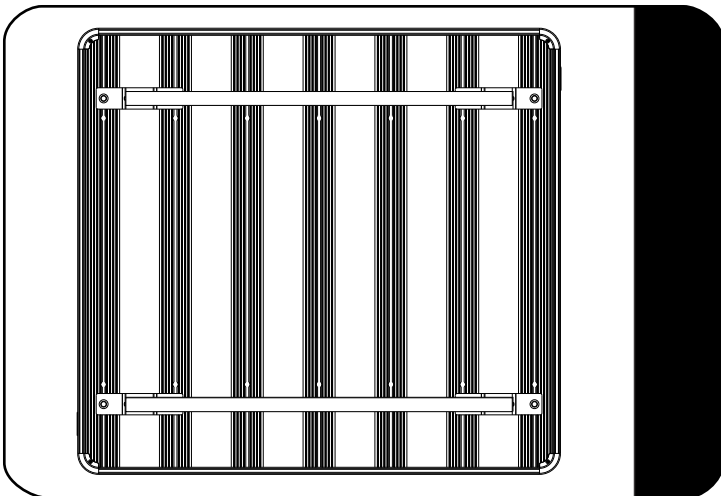
FIGURE 1.1



## 2

## FIT AND SECURE

2.1



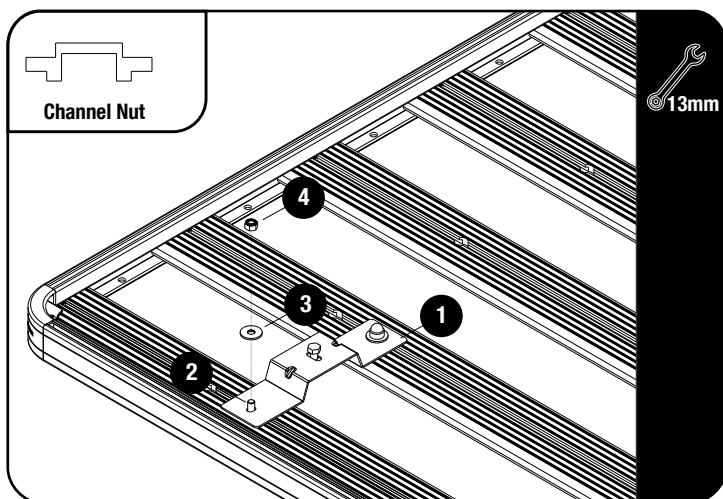
⌛ Depending on the tent opening and orientation the tent base channels may need to be rotated.



**Tent Channels must run across the Bracket Bends.**

Taking into account the length and width of your tent, choose where you'd like to position it on the rack, this will determine where you need to fit the Tent Mount Brackets (Item 1)

2.2

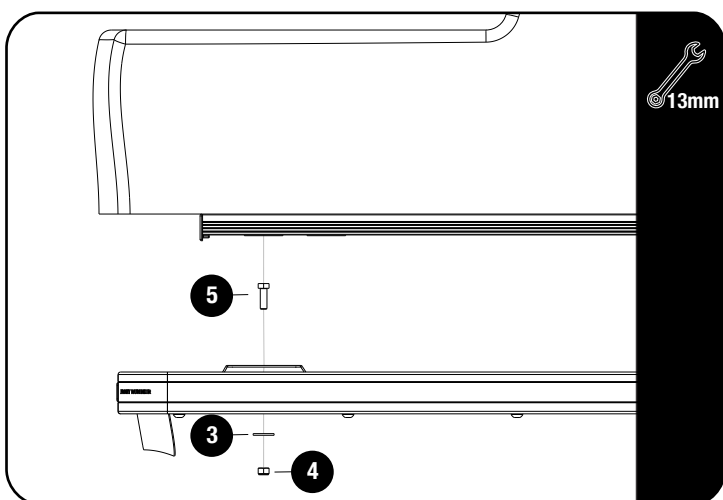


**Where possible use the combined slats to mount the brackets. If this is not possible then a slat with a leg or foot installed.**



Loosely assemble the Tent Mount Brackets (Item 1) to the rack using Channel Nuts (Supplied with the Tent) M8 x 16 Hex Head Bolts, M8 x 25 x 2 Flat Washers and M8 Nyloc Nuts (Items 2, 3 & 4).

2.3



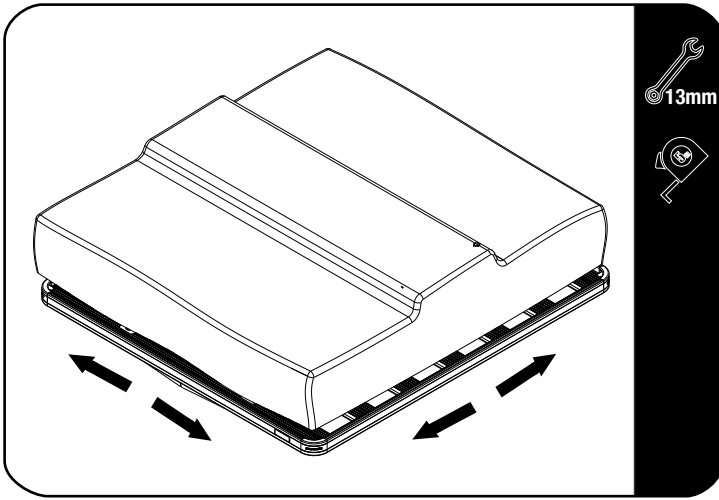
Loosely assemble the Tent to the Tent Mount Kits (Item 1) using M8 x 25 Hex Head Bolt, M8 x 25 x 2 Flat Washers and M8 Nyloc Nuts (Items 3, 4 & 5).



**For larger & heavier tents additional mounting brackets may be required.**

## 2 FIT AND SECURE

2.1



Center the tent left to right and front to rear then fully tighten all fasteners.  
Place M8 Nut Caps (Item 6) over all Hex Head Bolts.

## 3 FINISH

Congratulations! You did it. Take a step back and admire your work!

## 4 INSTALL OTHER VEHICLE AND RACK ACCESSORIES

Now's the time to visit your favorite Front Runner Dealer in person or online.

Be sure to tag us. We love to see our gear in action! #FrontRunnerOutfitters #BornToRoam

Share your adventures on: 